

○ TRIPHASE

☒ 400 V

■ MONOTRIPHASE

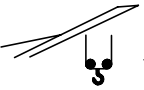
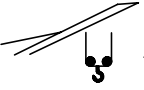
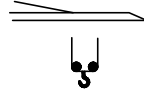
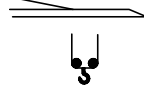

☒ 230/400 V

GRU A MONTAGGIO RAPIDO
 GRUE A MONTAGE RAPIDE
 GRUA DE RAPIDO MONTAJE
 GRUA DE MONTAGEM RAPIDA
 QUICK SELFRECTING CRANE
 HYDRAULISCHER SCHNELLMONTAGEKRAN

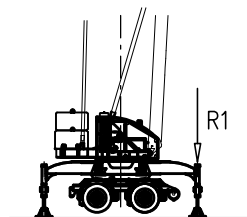


FEM 1.001-A3

Curve di carico – Courbes de charges – Load diagrams – LastKurven – Curvas de cargas

 17°	<table border="1"> <tr> <td>3</td> <td>22</td> <td>26</td> <td>m</td> </tr> <tr> <td>500</td> <td>500</td> <td>500</td> <td>kg</td> </tr> </table>	3	22	26	m	500	500	500	kg	Portata costante = 500 Kg Constant load = 500 Kg Charge constante = 500 Kg konstanter Belastung = 500 Kg Carga constante = 500 Kg Carga constante = 500 Kg								
	3	22	26	m														
500	500	500	kg															
 10°	<table border="1"> <tr> <td>3</td> <td>22</td> <td>26,6</td> <td>m</td> </tr> <tr> <td>500</td> <td>500</td> <td>500</td> <td>kg</td> </tr> </table>	3	22	26,6	m	500	500	500	kg	Portata costante = 500 Kg Constant load = 500 Kg Charge constante = 500 Kg konstanter Belastung = 500 Kg Carga constante = 500 Kg Carga constante = 500 Kg								
	3	22	26,6	m														
500	500	500	kg															
	<table border="1"> <tr> <td>3</td> <td>11,2</td> <td>12</td> <td>16</td> <td>20</td> <td>24</td> <td>27</td> <td>m</td> </tr> <tr> <td>1800</td> <td>1800</td> <td>1640</td> <td>1150</td> <td>875</td> <td>690</td> <td>600</td> <td>kg</td> </tr> </table>	3	11,2	12	16	20	24	27	m	1800	1800	1640	1150	875	690	600	kg	
	3	11,2	12	16	20	24	27	m										
1800	1800	1640	1150	875	690	600	kg											
	<table border="1"> <tr> <td>3</td> <td>11,6</td> <td>12</td> <td>16</td> <td>20</td> <td>24</td> <td>25</td> <td>m</td> </tr> <tr> <td>1800</td> <td>1800</td> <td>1730</td> <td>1210</td> <td>920</td> <td>730</td> <td>700</td> <td>kg</td> </tr> </table>	3	11,6	12	16	20	24	25	m	1800	1800	1730	1210	920	730	700	kg	
	3	11,6	12	16	20	24	25	m										
1800	1800	1730	1210	920	730	700	kg											
	<table border="1"> <tr> <td>3</td> <td>11,4</td> <td>12,5</td> <td>m</td> </tr> <tr> <td>1800</td> <td>1800</td> <td>1600</td> <td>kg</td> </tr> </table>	3	11,4	12,5	m	1800	1800	1600	kg									
	3	11,4	12,5	m														
1800	1800	1600	kg															

Reazioni – Reactions – Réactions – Eckdrücke – Reacciones – Reações

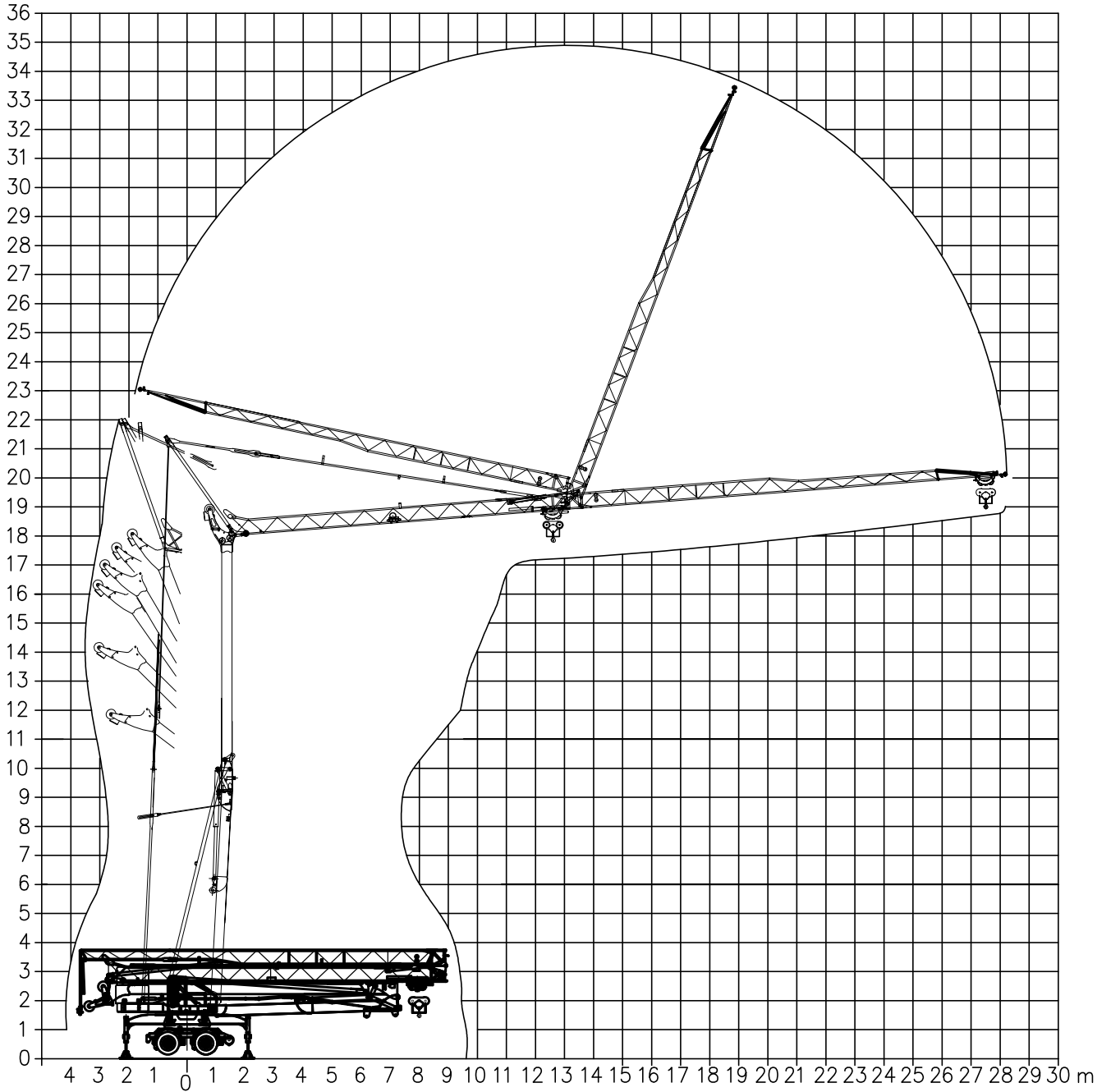


R1 ● 9,6 t ■ 6,6 t

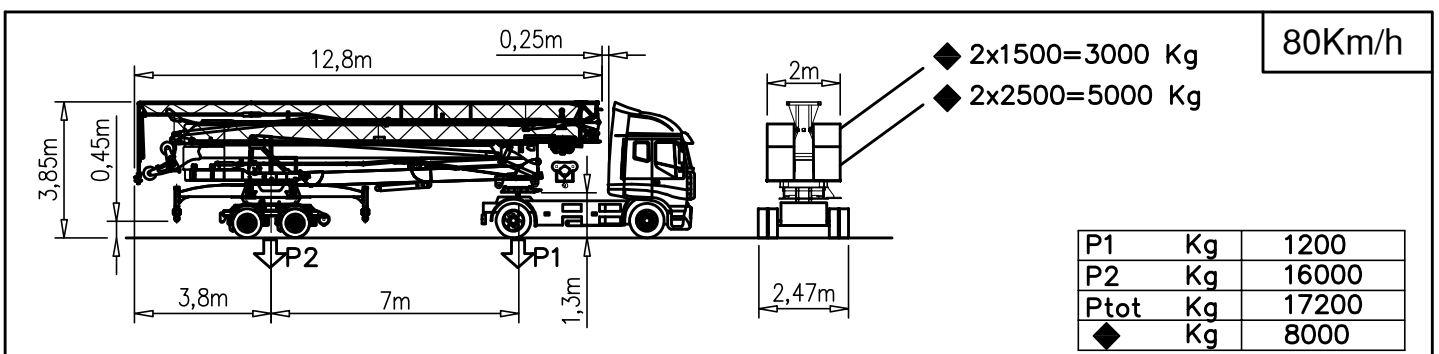
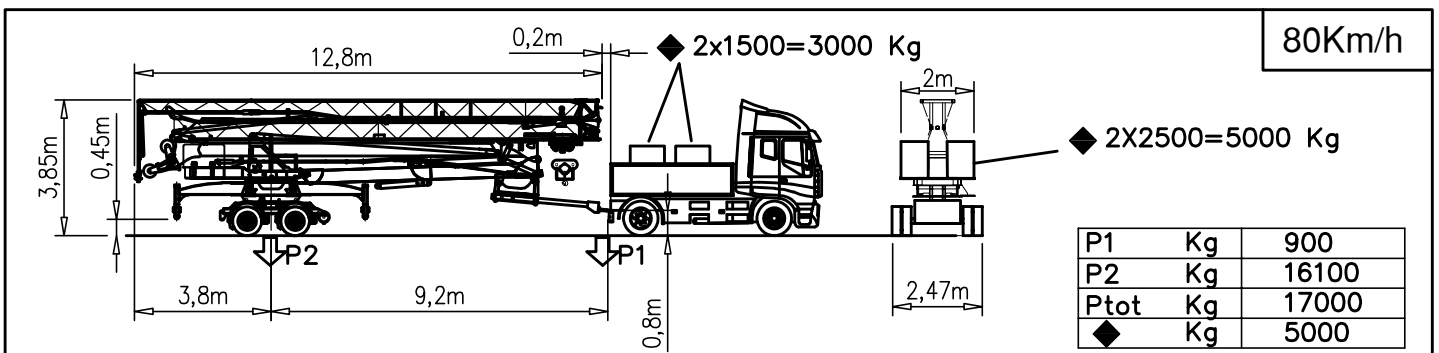
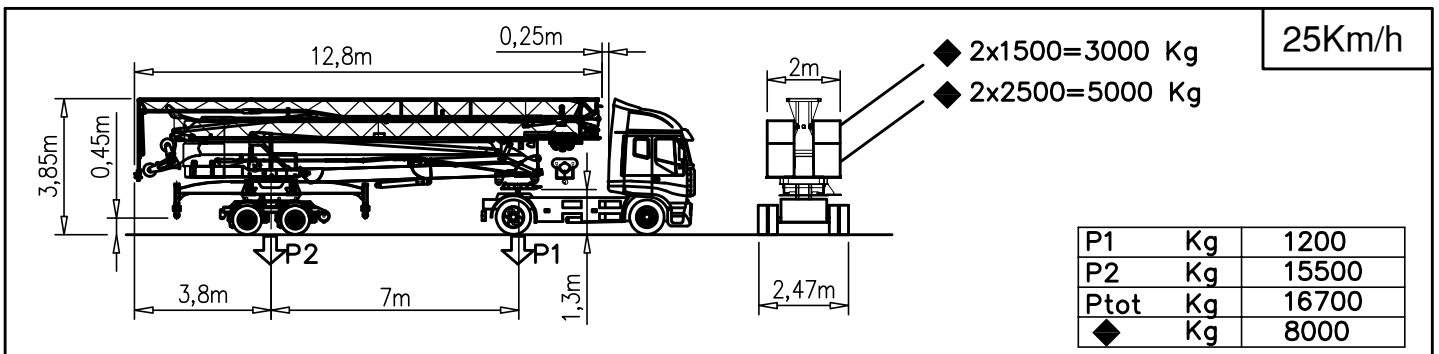
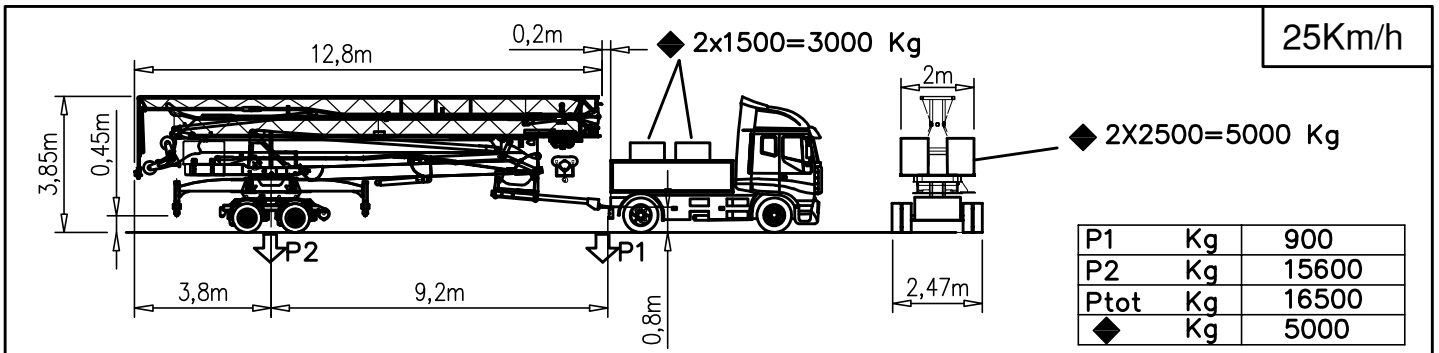
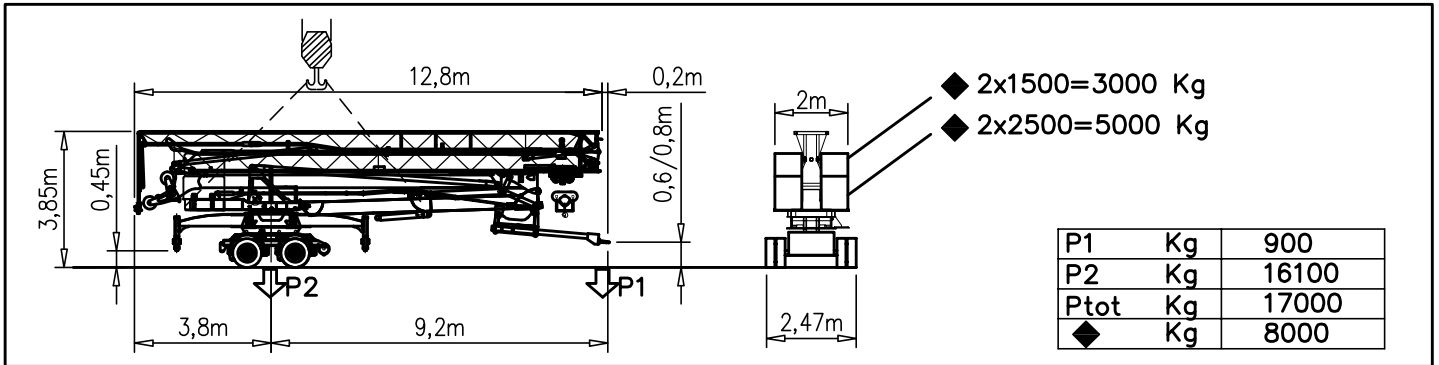
▲ 7,1 t ◆ 8 t

- | | | |
|-------------------------------|---------------------------------------|--------------------------------------|
| ● Reazioni in servizio | ● Reactions in service | ● Réactions en service |
| ■ Reazioni fuori servizio | ■ Reactions out of service | ■ Réactions hors service |
| ▲ Peso della gru senza assali | ▲ Dead weight without transport axles | ▲ Poids de construction sans essieux |
| ◆ Peso zavorra rotante | ◆ Ballast weight | ◆ Poids du lest |
-
- | | | |
|--|--|---|
| ● Reaktionskräfte in betrieb | ● Reacciones en servicio | ● Em serviço |
| ■ Reaktionskräfte außer betrieb | ■ Reacciones fuera de servicio | ■ Fora de serviço |
| ▲ Konstruktionsgewicht ohne transportachse | ▲ Peso de la grua sin tren de transporte | ▲ Peso de la grua sem carro de transporte |
| ◆ Ballastgewicht | ◆ Peso de lastre | ◆ Peso de lastre rotativo |

Montaggio – Montage – Erection – Montage – Montaje



Trasporto – Transport – Transport – Transport – Transporte



Triphase – 400V	V7,5.30 Sollevamento Hoisting Levage Heben Elevaciòn Elevaçao				 	V7,5.30 5.5 Kw (7.5 Hp) 11 kVA 	
		m/min	4	11			30
		t	1,8	1,8			0,7
		m/min	4	16			30
		t	1,8	1,8			0,7

Carrello Trolleying Distribution Katzfahren Distribuciòn Distribuiçao			1a	0 → 30	m/min	2.2 kW (3 Hp)
			1a			
			2a			
Rotazione Slewing Orientation Schwenken Orientaciòn Rotaçao			1a	0 → 0.8	giri/min tr/min rp/min	2.2 kW (3 Hp)
			2a			
			3a			

MonoTriphase – 230/400V	V7,5.30 Sollevamento Hoisting Levage Heben Elevaciòn Elevaçao				 	V7,5.30 5.5 Kw (7.5 Hp) 230V–2kVA 400V–11kVA 	
		m/min	4	11			25
		t	1,8	1,8			0,7
		m/min	4	16			30
		t	1,8	1,8			0,7

Carrello Trolleying Distribution Katzfahren Distribuciòn Distribuiçao			1a	0 → 30	m/min	2.2 kW (3 Hp)
			1a			
			2a			
Rotazione Slewing Orientation Schwenken Orientaciòn Rotaçao			1a	0 → 0.8	giri/min tr/min rp/min	2.2 kW (3 Hp)
			2a			
			3a			

Rete elettrica – Réseau – Mains supply – Netzstrom – Red	230/400V – 50 Hz	400V – 50 Hz
--	------------------	--------------

Potenza elettrica necessaria – Puissance électrique nécessaire Necessary electric power – Anschlusswert Potencia electrica necesaria	V7,5.30/230–2 kVA V7,5.30/400–11 kVA	V7,5.30 – 11 kVA
--	---	------------------

FMgru s.r.l.
 via Emilia 11–29010 Pontenure PC ITALY
 tel. 0523/510446 ric.aut. fax 0523/510365
 www.fmgru.it e-mail: info@fmgru.com

EN 14439–C25
 FEM 1.001–A3
 2000/14/CE



Documento commerciale non contrattuale
Per tutte le informazioni tecniche riferirsi
alle corrispondenti istruzioni

Unverbindliches Vertriebsdokument.
Für technische Informationen, siehe die
entsprechenden Anweisungen.

This commercial document is not legally
binding. For any technical information, please
refer to the corresponding instructions.

Documento commercial no contractual
Para cualquier información técnica,
ver la noticia correspondiente.

Code: 15ICA37B26A0	
Ed. Data	Rev Data
1 15.03.19	0 15.03.19